

宁波丹顿液压传动有限公司

DANDUN HYDRAULIC TRANSMISSION CO.LTD.

地址：宁波市镇海区蛟川街道临俞工业区石柱路328号
电话：+86-574-55336199
传真：+86-574-55336999
E-mail: 13906699200@163.com
Http://www.nbdandun.com

Add: No.328, Shizhu Road, Linyu Industrial Zone, Jiaochuan street, Zhenhai District, Ningbo City
Tel: +86-574-55336199
Fax: +86-574-55336999
Email: 13906699200@163.com
Http://www.nbdandun.com

广东办事处

Guangdong Office:

地址：广东省顺德区大良街道五沙工业区新晖路20号厂房之5
电话：18906699200

Add: Plant 5, No.20, Xinhui Road, Wusha Industrial Zone Daliang Street, Shunde Guangdong China
Tel: 18906699200

24小时服务热线 400-118-1881
24-hour service hotline 400-118-1881



创新 / 节能 / 新驱动 / 未来可期

Innovation/energy saving/new driving force/foreseeable future



丹顿电预塑

DANDUN
Electric plasticization

www.nbdandun.com

宁波丹顿液压传动有限公司 DANDUN HYDRAULIC TRANSMISSION CO.,LTD.

“ Word DANDUN ”

Ningbo Dandun Hydraulic Transmission Co., Ltd. was established in 2010 and headquartered in Zhenhai District, Ningbo City, Zhejiang Province. It is a hydraulic motor manufacturing enterprise integrating research and development, production, sales, and service. The company has an annual output of over 60000 hydraulic motors, with an annual output value of over 100 million yuan, and a market share of over 40% in the domestic plastic machinery industry. After more than ten years of development, innovation, and breakthrough, the company has won honors such as national high-tech enterprise, the first batch of digital workshops (intelligent factories) in Zhejiang Province, specialized and specialized "small and medium-sized enterprises" in Ningbo City, and the single champion in the manufacturing industry in Ningbo City.

In 2019, the company invested more than 60 million yuan to build a new factory, established an engineering technology center, introduced a high-precision Mazak flexible machining center and motor intelligent production line from Japan, and successfully created a new type of digital intelligent factory, realizing the digitization and intelligence of design, production, sales, and logistics. Based on a complete research and development facility and a mature and efficient technical team, the DMG series of high-speed hydraulic motors, independently developed and with intellectual property rights, have been fully utilized in the field of rapid packaging and injection molding machines, with a market share of over 80%; The DF series static pressure balanced hydraulic motor can replace the imported product Kawasaki Heavy Industries STAFFA series in Japan, and has received unanimous praise in China; The performance of the DA series inner curve hydraulic motor is similar to that of the German Rexroth series, and is widely used in various hydraulic transmission devices such as plastic machinery, ship deck machinery, ore machinery, engineering construction machinery, petroleum and coal mining machinery, etc.

With the development of globalization and technology, manufacturing factories are gradually moving towards a green, energy-saving, and low-carbon direction, and the trend of low-carbon, energy-saving, and efficiency enhancement of electric melt adhesives in the injection molding machine industry is obvious. In order to adapt to the needs of market development, Ningbo Danton devotes itself to developing and launching a full range of electric melt adhesive solutions to assist in technological innovation, industrial upgrading and transformation of the injection molding machine industry, and achieve sustainable and high-quality development of the enterprise.

The company takes innovation, efficiency, cooperation, and common progress as its core values, adheres to the mission of synchronizing quality with the world, creating a better life, and takes "professionalism creates quality, integrity serves customers" as its corporate purpose. It integrates industry elites to jointly create more stable, efficient, and high-quality products. We sincerely cooperate with domestic and foreign partners for win-win cooperation, common development, and common prosperity.



宁波丹顿液压传动有限公司成立于2010年，总部位于浙江省宁波市镇海区，是一家集研发、生产、销售和服务为一体的液压马达制造企业。公司年产液压马达6万余台，年产值超亿元，在国内塑料机械行业的市场占有率高达40%以上。公司经过十余年的发展、创新和突破，获得了国家级高新技术企业、浙江省首批数字化车间（智能工厂）、宁波市专精特新“中小企业”和宁波市制造业单项冠军等荣誉。

公司在2019年投资六千多万元新建厂房，成立了工程技术中心，引进日本高精度马扎克柔性加工中心和马达智能生产线，成功打造了数字化新型智能工厂，实现了设计、生产、销售和物流的数字化和智能化。在完善的研发设施及成熟高效的技术团队基础上，充分发挥产品优势，自主研发并拥有知识产权的DMG系列高速液压马达应用到快速包装注塑机领域，市场占有率超过80%；DF系列静压平衡式液压马达可替代进口产品日本川崎重工STAFFA系列，在国内得到一致好评；DA系列内曲线液压马达性能与德国力士乐系列相近，广泛应用于塑料机械、船舶甲板机械、矿石机械、工程建筑机械、石油煤矿机械等各种液压传动装置中。

随着全球化和科技发展，制造业工厂逐步朝着绿色、节能、低碳方向发展，注塑机行业电熔胶低碳节能增效趋势明显。为了适应市场发展的需求，宁波丹顿潜心研发推出全系列电熔胶方案，助力注塑机行业技术革新，产业升级转型，实现企业可持续、高质量发展。

公司以创新、高效、合作、共进为企业核心价值观，秉承品质与世界同步，创造美好生活为使命，“专业铸就品质，诚信服务客户”为企业宗旨，集业内精英共同打造更稳定更高效更优质的产品。竭诚与国内外合作伙伴双赢合作，共同发展，共创辉煌。

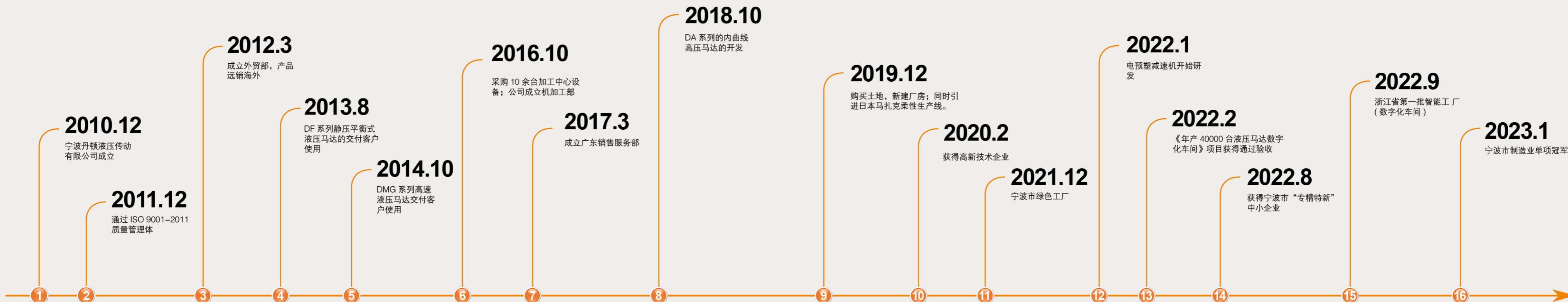
DANDUN Honour

丹顿 / 荣誉



- 1 Ningbo Dandun Hydraulic Transmission Co., Ltd. was established
- 2 Establish a foreign trade department, and products are exported overseas
- 3 DMG series high-speed hydraulic motor delivered to customers for use
- 4 Delivery of DF series static pressure balanced hydraulic motors to customers
- 5 Passed ISO 9001-2015 quality management system
- 6 Purchase more than 10 sets of processing center equipment; The company established a machining department
- 7 Establishment of Guangdong Sales Service Department
- 8 Development of DA Series Inner Curve High Voltage Motor
- 9 Purchase land to build new plant and introduce Japanese Mazak production line
- 10 Obtaining high-tech enterprises

- 11 Ningbo Green Factory
- 12 The research and development of electric pre plastic reducer began
- 13 The project "Digital Workshop with an Annual Output of 40000 Hydraulic Motors" was accepted
- 14 Obtained the title of "Specializing in Special Innovation" in Ningbo City Small businesses
- 15 The first batch of intelligent factories (digital workshops) in Zhejiang Province
- 16 Single champion of Ningbo manufacturing industry



New fields、 new opportunities and new challenges

In the context of globalization and technological development, improving quality and efficiency, energy conservation and environmental protection, low carbon and high-end intelligence have become the inevitable trend of enterprise development. Especially in the "double cycle" model and the "14th Five-Year Plan" intelligent manufacturing development plan actively promoted by the country, focusing on enterprise upgrading and transformation, developing intelligent manufacturing, and further improving production efficiency and product quality. At present, there is a large demand for energy saving at the end of the injection molding machine industry; The trend of electric pre-molding is more obvious; The technology is more mature, stable and reliable, and the cost is more controllable.

Ningbo Dandun Hydraulic has been providing high-quality pre-plastic power units for injection molding machine customers; In recent years, we have closely followed the national energy consumption dual control policy and customer demand through technological innovation; Taking energy conservation and efficiency enhancement as the main line, the company has launched a reducer electromechanical adhesive melting scheme that integrates performance, cost and integration. Assisting industrial technological innovation, upgrading and transformation of terminal industries, and leading the new direction of low-carbon, energy-saving, environmental protection and efficiency enhancement; Meet the new changes in the field of plastic machinery in an all-round way.

Ningbo Dandun electric pre-molding features:

1. High efficiency and energy saving; Energy saving can reach 15% - 30%.
2. It can realize synchronous glue melting and shorten the plasticizing period; The production efficiency can be improved by more than 20%.
3. Oil-cooled motor and reducer are adopted, with good cooling effect, stable and reliable performance, long service life and low noise.
4. The overall installation is more convenient, fast and integrated, and is interchangeable with the previous motor installation size.

新领域、新机遇、新挑战

在全球化和科技发展下,提质增效、节能环保、低碳、高端智能化成为企业发展的必然趋势。尤其在国家积极推进的「双循环」模式和「十四五」智能制造发展规划,聚焦企业升级转型,发展智能制造,进一步提高生产效率和产品质量。目前注塑机行业终端节能需求大;电预塑行趋势愈发明显;技术越来越成熟、稳定可靠,且成本更加可控。

宁波丹顿液压一直以来为注塑机客户提供优质预塑动力单元;近几年来紧跟国家能耗双控政策、客户需求,通过技术创新;以节能增效为主线,公司推出了集性能、成本、于一体的减速机电熔胶方案。助力行业技术革新,终端产业升级转型,引领低碳、节能、环保、增效新方向;全面迎接塑机领域新的变革。

宁波丹顿电预塑特点:

1. 高效节能;节能可达到 15%~30%。
2. 可实现同步熔胶,缩短塑化周期;提高生产效可达到 20% 以上。
3. 采用油冷电机和减速机,冷却效果好,性能稳定可靠,使用寿命长,噪声低。
4. 整体安装更方便快捷一体化,且与之前的马达安装尺寸互换。



Belt+Pulley Drive Series

皮带 + 带轮传动系列



皮带 + 带轮传动能缓和载荷冲击；运行平稳、低振动；特别适合低扭矩的传动。

应用领域：适合直径 ϕ 30–55mm 螺杆的塑化动力单元；转速范围：200–400r/min；扭矩范围为：400–1200 N.M。

Belt+pulley drive can mitigate load impact; Stable operation and low vibration; Especially suitable for low torque transmission.

Field: suitable diameter Plasticizing power unit of ϕ 30–55mm screw; Speed range: 200–400r/min; Torque range: 400–1200 N.M.

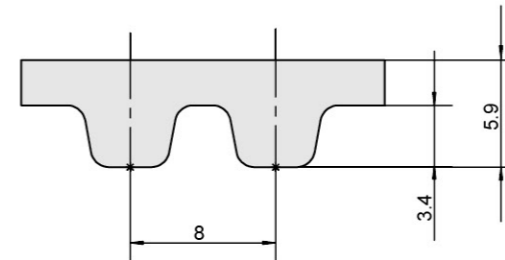
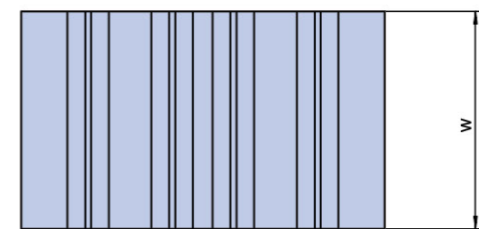
POWEEGRIO “GT4” 皮带适用于广泛的工艺领域，尤其是需求高寿命和低维护成本行业，在应用中完美实现高效率传输，是通用传动设备、包装机械、智能物流等行业的首选。其特点和优势如下：

1. 玻璃纤维芯线提供了皮带的高强度骨架，优秀的柔韧性以及高抗拉伸性。
2. 新升级的橡胶配方，提高了承载能力及耐温范围；-40°C ~120°C；间歇性使用可达 140°C；
3. 耐磨性能好，高传动精度，运行噪声低；
4. 免润滑和无需二次涨紧，降低维护和人工费用；
5. 满足 ISO9563 防静电标准。

POWEEGRIO “GT4” belt is applicable to a wide range of process fields, especially in industries requiring high service life and low maintenance costs. It perfectly realizes high efficiency transmission in application, and is the first choice for general transmission equipment, packaging machinery, intelligent logistics and other industries. Its characteristics and advantages are as follows:

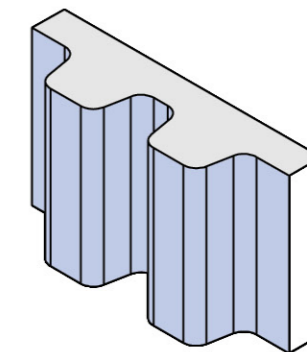
1. The glass fiber core wire stops working on the high-strength framework of the belt, with excellent flexibility and high tensile resistance.
2. The newly upgraded rubber formula improves the bearing capacity and temperature resistance range- 40°C ~120°C; Intermittent use can reach 140 °C ;
3. Good wear resistance, high transmission accuracy and low running noise;
4. No lubrication and no secondary tightening, reducing maintenance and labor costs;
5. Meet ISO9563 anti-static standard.

同步皮带GT4(8MGT)	
齿数(No. of Teeth)	幅宽(mm)Width
48	710
60	710
70	710
72	710
75	710
80	710
90	710
100	460
105	460
110	460
115	460
120	460
130	460
133	460
138	710
140	460
145	460
150	460
153	710
160	460
180	460
189	460
198	460
200	460
220	460
225	460
250	590
275	590
300	590
325	560
350	560
381	330
410	330
450	330
550	330



齿型：8MGT 齿距：8mm

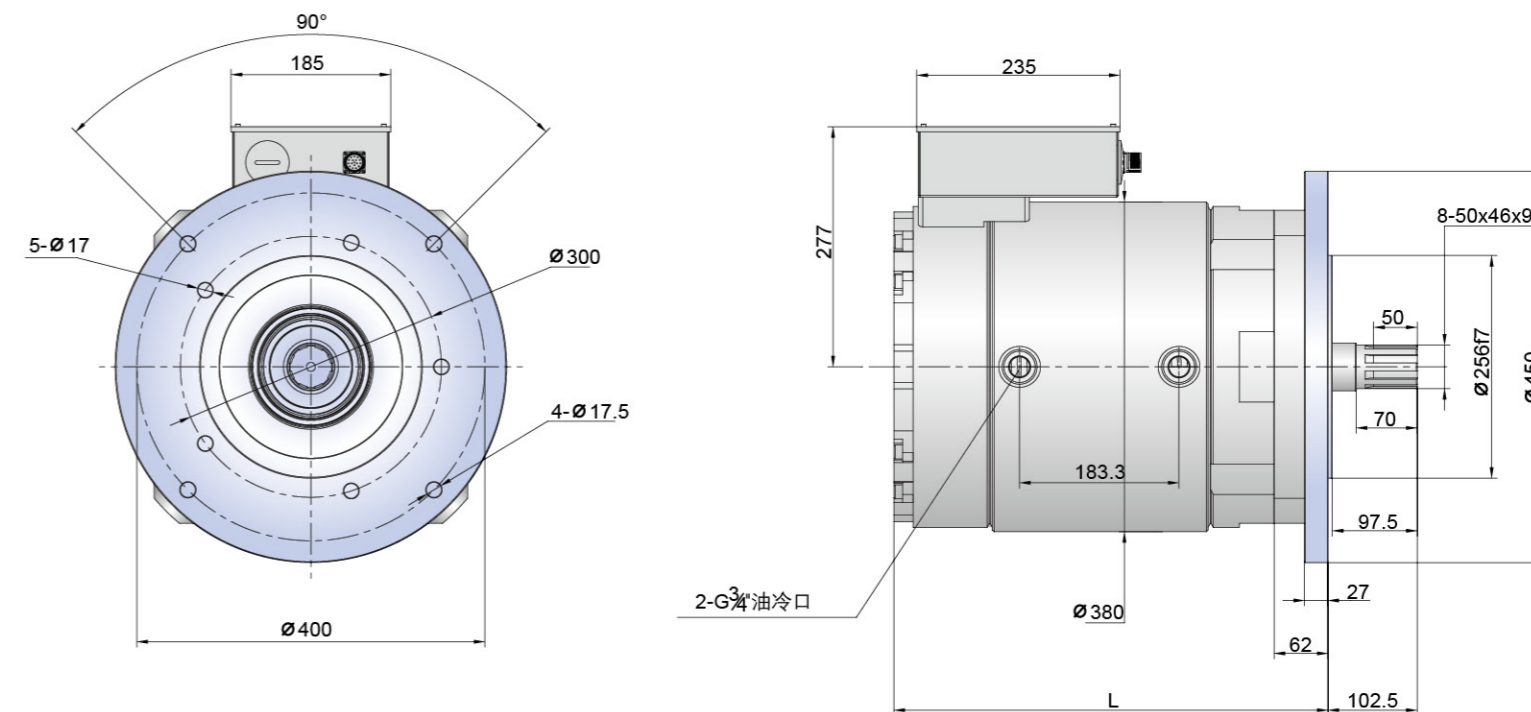
W
50
62
75
90



DYL 系列 带轮 + 皮带 (应用技术参数)

选用型号	电机额定扭矩 (NM)	电机额定功率 (kw)	电机额定转速 (r/min)	主动轮 (Z1)	从动轮 (Z2)	减速比	输出额定扭矩 (NM)	输出最大转速 (r/min)
DYL1-5-70-1500-W	70.0	11.0	1500	28	136	4.86	340	307
DYL1-5-83-1500-W	82.8	13.0	1500	28	136	4.86	402	307
DYL1-5-96-1500-W	95.5	15.0	1500	28	136	4.86	464	307
选用型号	电机额定扭矩 (NM)	电机额定功率 (kw)	电机额定转速 (r/min)	主动轮 (Z1)	从动轮 (Z2)	减速比	输出额定扭矩 (NM)	输出最大转速 (r/min)
DYL2-4-135-1200-W	135.3	17.0	1200	34	136	4	541	300
DYL2-4-167-1200-W	167.1	21.0	1200	34	136	4	669	300
DYL2-4-199-1200-W	199.0	25.0	1200	34	136	4	796	300
DYL2-4-255-1200-W	254.7	32.0	1200	34	136	4	1019	300

备注：主动轮、从动轮技术参数可按照客户需求自行设计



高扭矩中速直驱电机直接驱动负载，该直驱电机静音、节能、平稳、动力强劲。

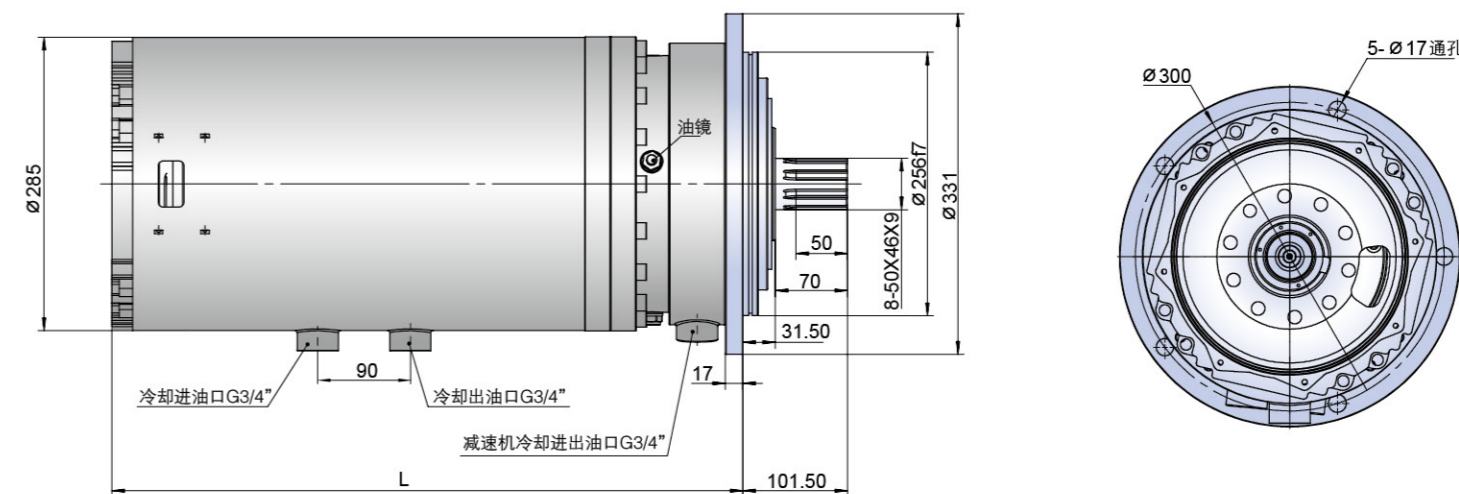
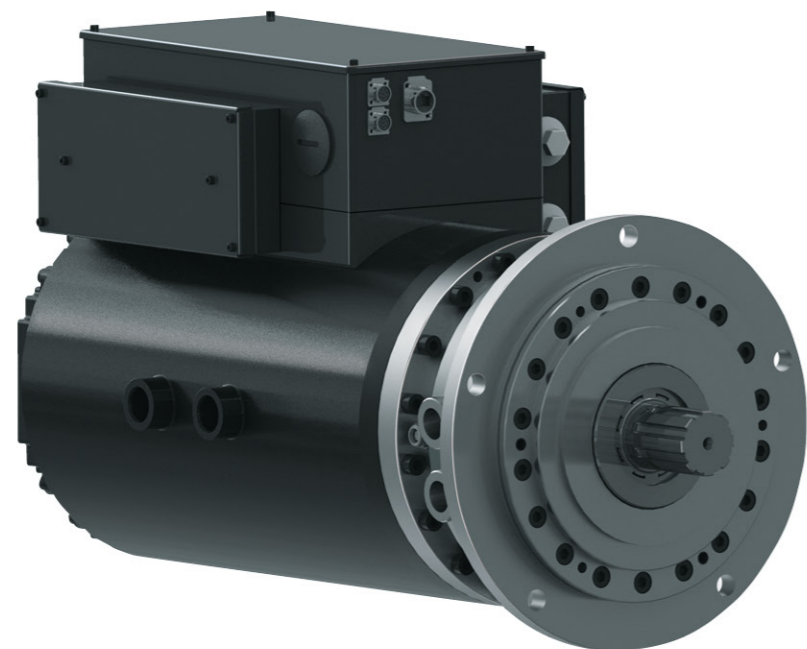
应用领域：适合直径 ϕ 50-65mm 高速机的螺杆塑化动力单元。转速范围：300-400r/min；扭矩范围为：500-750 N.M。

High-torque and medium-speed direct-drive motor directly drives the load. The direct-drive motor is silent, energy-saving, stable and powerful.

Application field: suitable for diameter Screw plasticizing power unit of ϕ 50-65mm high-speed machine. Speed range: 300-400r/min; Torque range: 500-750 N.M.

DYZ3 系列直驱动电机技术参数

型号	输出转速 (r/min)	水冷转矩 (N.M)	水冷功率 (KW)	油冷转矩 (N.M)	油冷功率	外径 (ϕ MM)	长 L (MM)	重量 (Kg)	安装尺寸
DYZ3-450-400-W	400	450	19	375	16	380	417	180	DM8/DMG45
DYZ3-600-400-W	400	600	25	500	21	380	458	210	DM8/DMG45
DYZ3-750-400-W	400	750	31.5	625	26	380	499	240	DM8/DMG45



采用行星减速 + 伺服电机一体式结构，该装置节能，传动效率高；储料稳定、精度高、转速波动低。

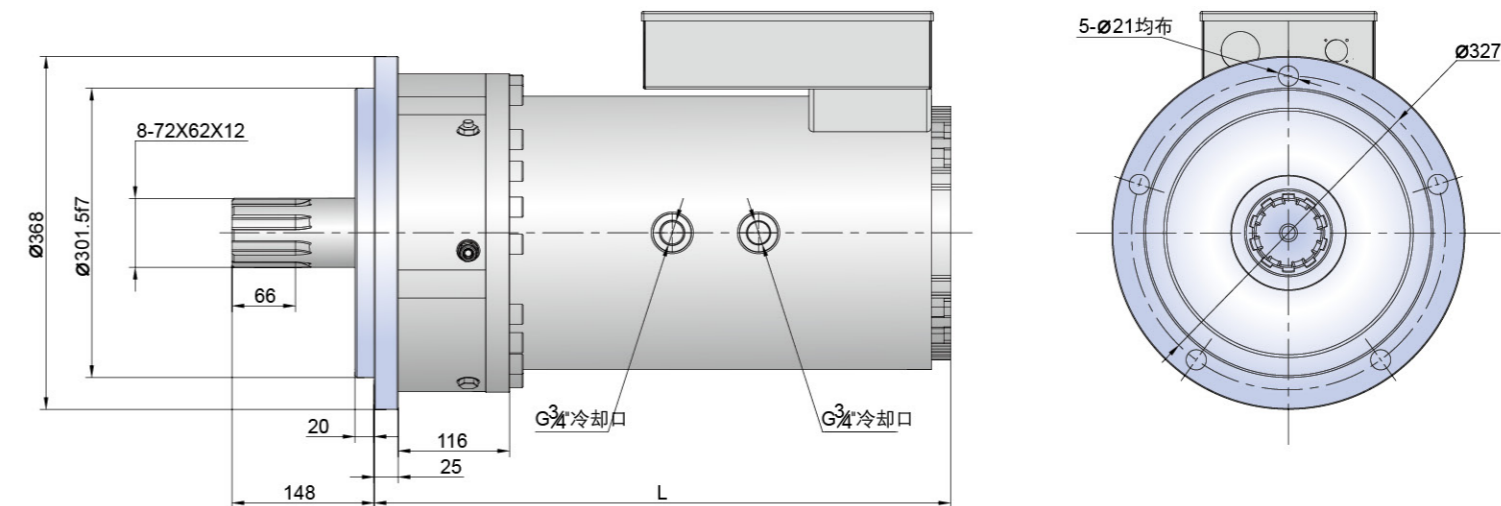
应用领域：适合直径 $\varnothing 50-75\text{mm}$ 螺杆塑化动力单元。转速范围：150-300r/min；扭矩范围为：800-1500 N.M。

The integrated structure of planetary reducer+servo motor is adopted. The device is energy-saving, with high transmission efficiency, stable material storage, high accuracy and low speed fluctuation.

Application field: suitable for diameter $\varnothing 50-75\text{mm}$ screw plasticizing power unit. Speed range: 150-300r/min; Torque range: 800-1500 N.M.

DY3B 系列一体式行星电预塑塑化动力单元

选用型号	电机额定扭矩 (NM)	电机额定功率 (kw)	电机额定转速 (r/min)	减速比	减速机输出额定扭矩 (NM)	减速机输出最大转速 (r/min)	减速机安全系数	长度 L	互换安装尺寸
DY3B-4.88-300-1200-W	300	37.7	1200	4.9	1411	246	3.2	568	DM8/DM11/DMG45/DMG5
DY3B-4.88-400-1200-W	400	50.3	1200	4.9	1882	246	2.4	634	DM8/DM11/DMG45/DMG5
DY3B-4.88-500-1000-W	500	52.4	1000	4.9	2352	205	1.9	700	DM8/DM11/DMG45/DMG5



采用行星减速 + 伺服电机分离式结构，该装置节能、使用寿命好、冷却效果优、安装便利。

应用领域：适合直径 ϕ 75-120mm 螺杆塑化动力单元。转速范围：100-200r/min；扭矩范围为：2000-4000 N.M。

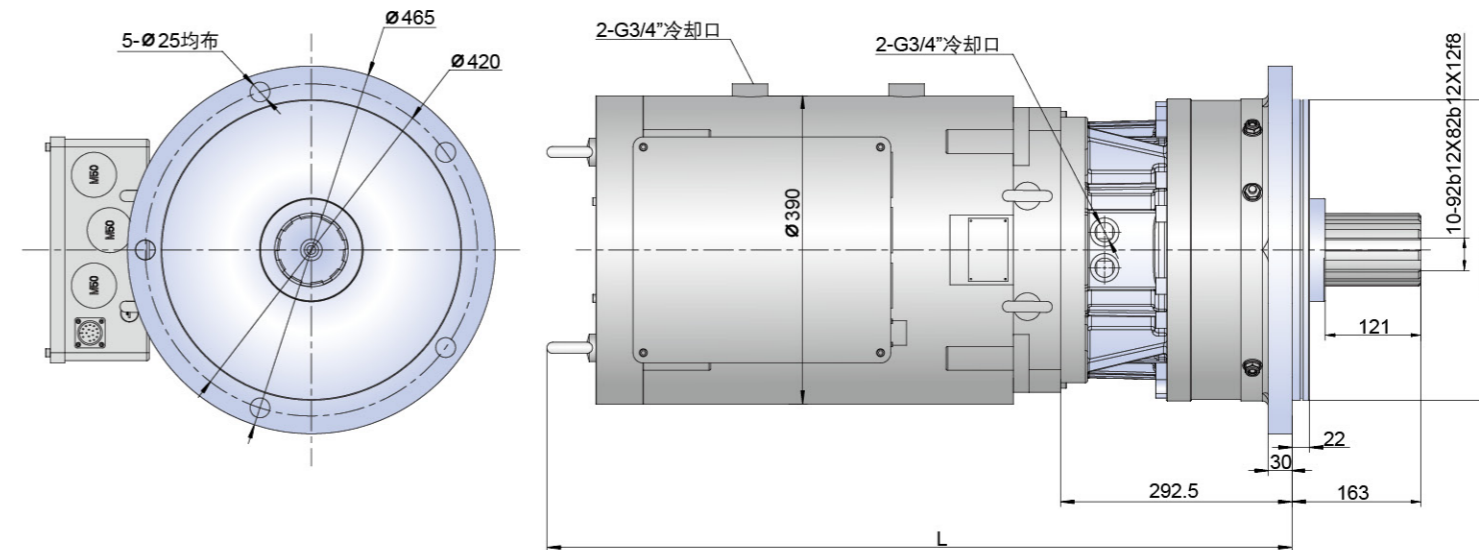
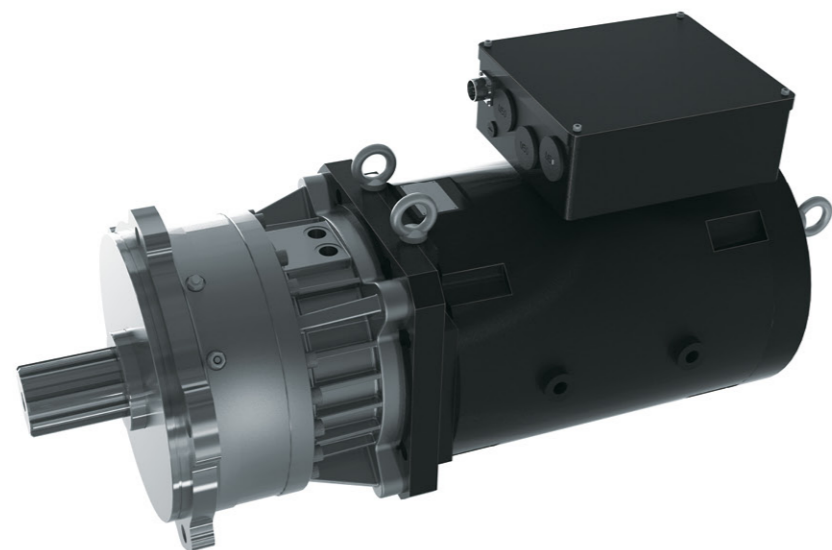
It adopts a planetary reduction+servo motor separation structure, which is energy-saving, good service life, excellent cooling effect and convenient installation.

Application field: suitable for diameter ϕ 75-100mm screw plasticizing power unit. Speed range: 100-200 r/min; Torque range: 2000-4000 NM.

DY4B 系列一体式行星电预塑塑化动力单元

选用型号	电机额定扭矩 (NM)	电机额定功率 (kw)	电机额定转速 (r/min)	减速比	减速机输出额定扭矩 (NM)	减速机输出最大转速 (r/min)	长度 (L:mm)	减速机安全系数	互换安装尺寸
DY4B-6-400-1200-W	400	50.3	1200	6	2304	200	600	3.3	DM16/DMG6
DY4B-6-500-1000-W	500	52.4	1000	6	2880	167	666	2.6	DM16/DMG6
DY4B-6-600-900-W	600	56.5	900	6	3456	150	732	2.2	DM16/DMG6

DY5 系列



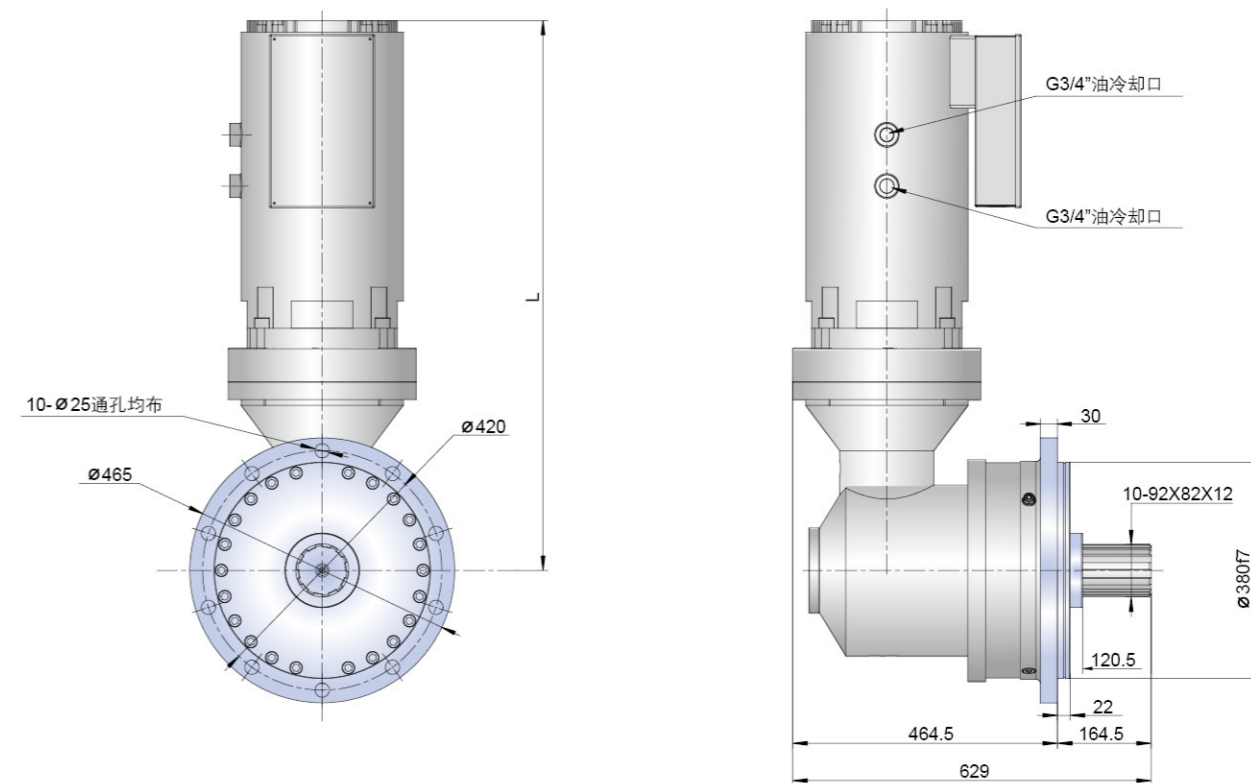
采用行星减速 + 伺服电机分离式结构，该装置节能、使用寿命好、冷却效果优、安装便利。
 应用领域：适合直径 ϕ 95–130mm 螺杆塑化动力单元。转速范围：100–200r/min；扭矩范围为：4500–9000 N.M。

It adopts a planetary reduction+servo motor separation structure, which is energy-saving, good service life, excellent cooling effect and convenient installation.
 Application field: suitable for diameter ϕ 95–130mm screw plasticizing power unit. Speed range: 100–200 r/min; Torque range: 4500–9000 NM.

DY5 系列行星电预塑塑化动力单元

选用型号	电机额定扭矩 (NM)	电机额定功率 (kw)	电机额定转速 (r/min)	减速比	输出额定扭矩 (NM)	输出最大转速 (r/min)	长度 L(mm)	减速机安全系数	互换安装尺寸
DY5-5.8-750-1000-W	750	78.5	1000	5.8	4365	172	840	3.4	DM31/DMG7
DY5-5.8-950-1000-W	955	100.0	1000	5.8	5558	172	880	2.7	DM31/DMG7
DY5-5.8-1200-800-W	1200	100.5	800	5.8	6984	138	920	2.1	DM31/DMG7
DY5-5.8-1500-800-W	1500	125.7	800	5.8	8730	138	960	1.7	DM31/DMG7

DY5A 系列



采用直角式行星减速机 + 伺服电机分离式结构，该装置使用安装空间紧凑、输出效率高、运行平稳、冷却效果优。
应用领域：适合直径 $\phi 95-120\text{mm}$ 螺杆塑化动力单元。转速范围：100–180r/min；扭矩范围为：4000–9000 N.M。

The right-angle planetary reducer+servo motor separation structure is adopted. The device has compact installation space, high output efficiency, stable operation and excellent cooling effect.

Application field: suitable for diameter $\phi 95-120\text{mm}$ screw plasticizing power unit. Speed range: 100–180r/min; Torque range: 4000–9000 N.M.

DY5A 系列直角式行星电预塑塑化动力单元

选用型号	电机额定扭矩 (NM)	电机额定功率 (kw)	电机额定转速 (r/min)	减速比	输出额定扭矩 (NM)	输出最大转速 (r/min)	减速机安全系数	互换安装尺寸
DY5A-12.6-400-1500-W	400	62.8	1500	12.6	4889	119	3.1	DM31/DMG7
DY5A-12.6-500-1500-W	500	78.5	1500	12.6	6111	119	2.5	DM31/DMG7
DY5A-12.6-600-1000-W	600	75.4	1200	12.6	7333	95	2.0	DM31/DMG7
DY5A-12.6-750-1000-W	750	94.2	1200	12.6	9167	95	1.6	DM31/DMG7

DYX6 Series

DYX6 系列



性能特点:

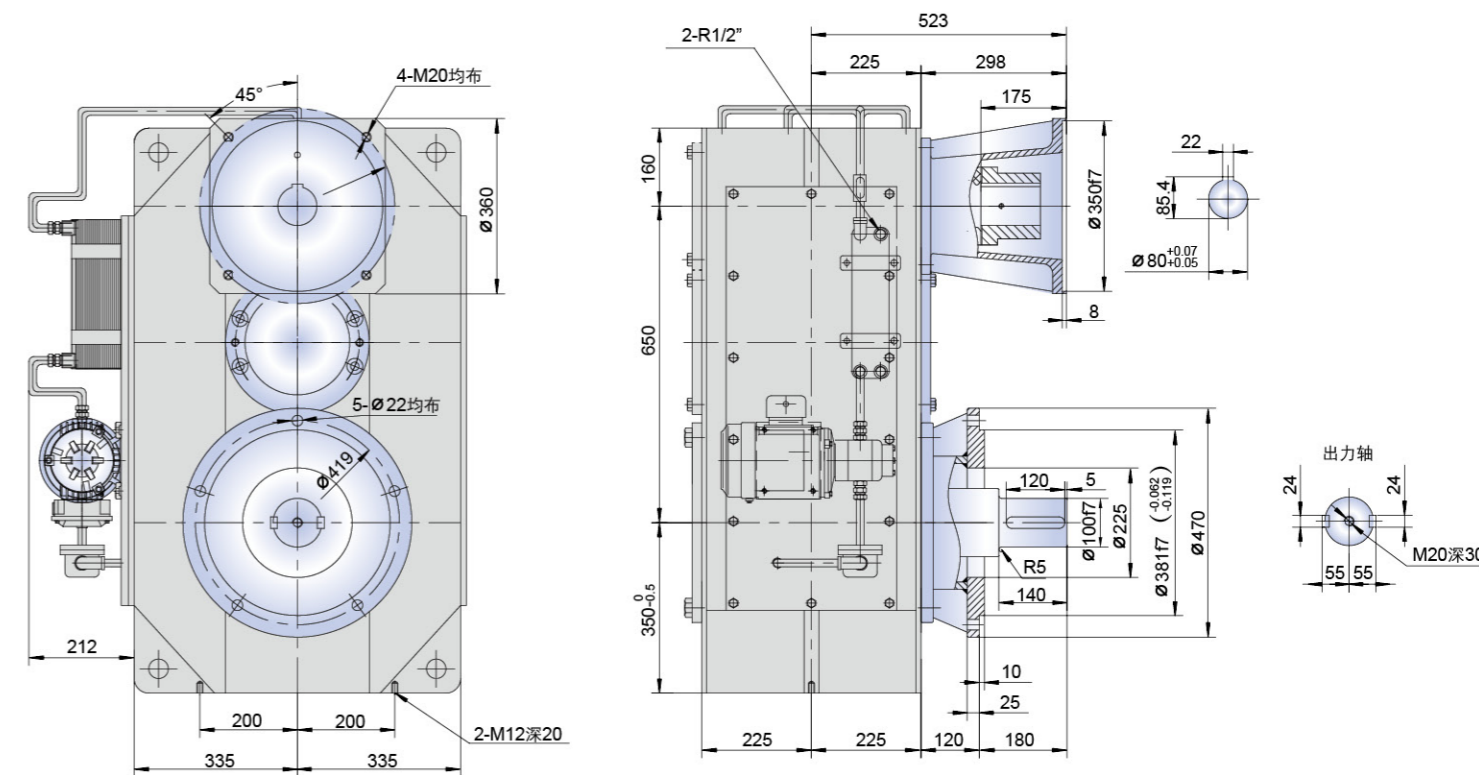
1. 箱体式减速 + 伺服电机结构，该装置节能、输出扭矩大、安装空间小。
2. 整体采用斜齿平行轴方式结构，传动效率高、运动平稳，噪声低。
3. 输入端采用进口高速轴承，提高传动精度和输入转速、扭矩。
4. 采用外接油路冷却油路，齿轮箱内部运动部件进行冷却润滑，延长了齿轮箱使用寿命。

应用领域：适合直径 ϕ 120–180mm 螺杆塑化动力单元。转速范围：85–120 r/min；扭矩范围为：8000–20000 N.M。

Performance characteristics:

1. Box-type reducer+servo motor structure, the device is energy-saving, large output torque and small installation space.
2. The whole structure adopts helical gear parallel shaft, with high transmission efficiency, smooth movement and low noise.
3. The input end adopts imported high-speed bearing to improve the transmission accuracy, input speed and torque.
4. The external oil circuit is used to cool the oil circuit, and the internal moving parts of the gearbox are cooled and lubricated, thus extending the service life of the gearbox.

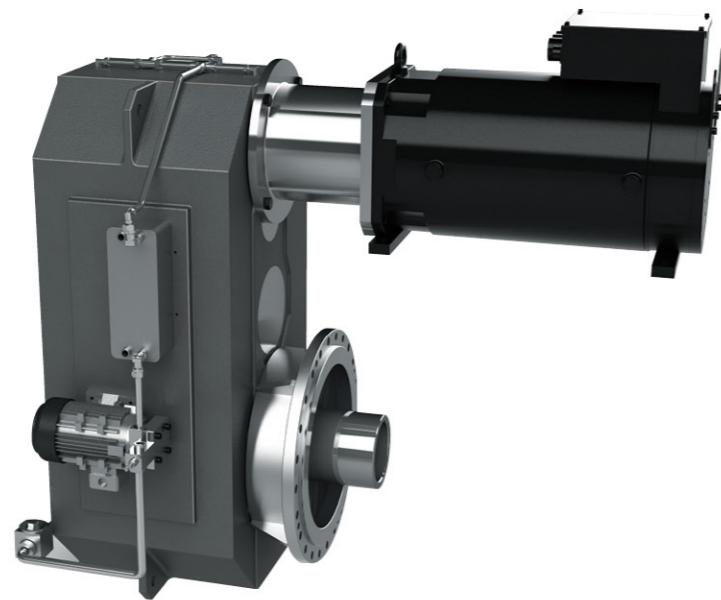
Application field: suitable for diameter ϕ 120–180mm screw plasticizing power unit. Speed range: 55–85r/min; Torque range: 8000–20000 N.M.



DYX6 系列箱体减速机技术参数

型号	电机额定转速 (r/min)	电机额定转矩 (N.M)	电机功率 (KW)	减速比 (i)	理论输出转速 (r/min)	理论输出转矩 (N.M)	重量 (kg)	安装尺寸
DYX6-16-750-L3	1700	750	134	16	106	12000	1300	DF325
DYX6-16-900-L3	1700	900	160	16	106	14400	1350	DF400
DYX6-20-900-L3	1700	900	160	20	85	18000	1400	DF400
DYX6-25-1050-L3	1700	1050	187	25	68	26250	1450	DF700

DYX7 系列



性能特点:

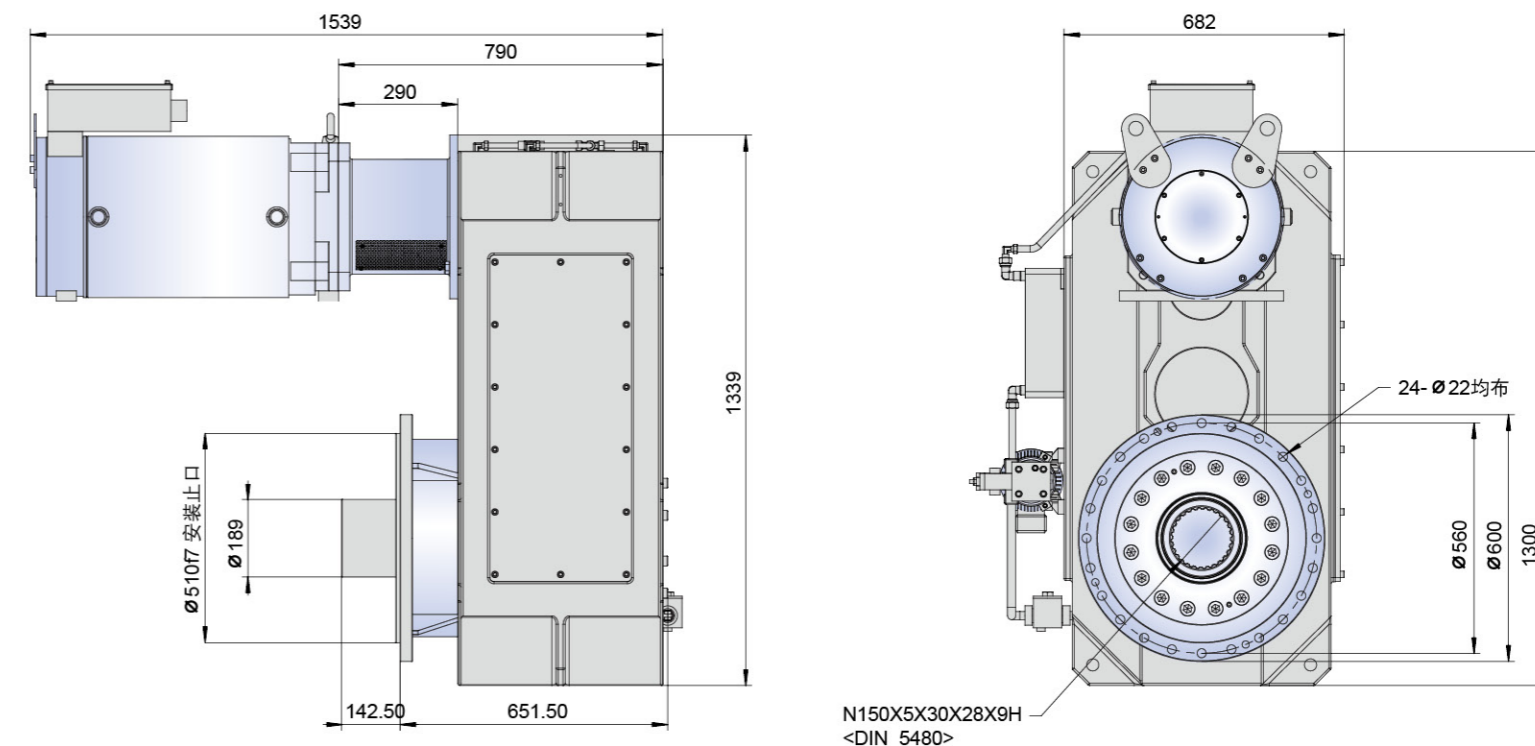
1. 箱体式减速 + 伺服电机结构，该装置节能、输出扭矩大、安装空间小。
2. 整体采用斜齿平行轴方式结构，传动效率高、运动平稳，噪声低。
3. 输入端采用进口高速轴承，提高传动精度和输入转速、扭矩。
4. 采用外接油路冷却油路，齿轮箱内部运动部件进行冷却润滑，延长了齿轮箱使用寿命。

应用领域：适合直径 ϕ 180–260mm 螺杆塑化动力单元。转速范围：55–85 r/min; 扭矩范围为：12000–45000 N.M。

Performance characteristics:

1. Box-type reducer+servo motor structure, the device is energy-saving, large output torque and small installation space.
2. The whole structure adopts helical gear parallel shaft, with high transmission efficiency, smooth movement and low noise.
3. The input end adopts imported high-speed bearing to improve the transmission accuracy, input speed and torque.
4. The external oil circuit is used to cool the oil circuit, and the internal moving parts of the gearbox are cooled and lubricated, thus extending the service life of the gearbox.

Application field: suitable for diameter ϕ 180–260mm screw plasticizing power unit. Speed range: 55–85r/min; Torque range: 20000–45000 N.M.



DYX7 系列箱体减速机技术参数

型号	电机额定转速 (r/min)	电机额定转矩 (N.M)	电机功率 (KW)	减速比 (i)	理论输出转速 (r/min)	理论输出转矩 (N.M)	重量 (kg)	安装尺寸
DYX7-25-1500-L3	1700	1500	267	25	68	37500	1800	DA210+DA140
DYX7-31.5-1500-L3	1700	1500	267	31.5	54	47250	1850	DA210+DA210

本公司随时进行研究改善的工作，因此本型录内所规定尺寸及设计特性，得以变更，不另行通知。
All specifications, dimensions and design characteristics shown in this catalogue are subject to change without notice.